

# Bourdon Tube Pressure Gauges

Square and Edgewise Panel Mounting Series, Class 1.0 • Model 214.11

## Pressure Gauges

### Service intended

Panel mounting industrial pressure gauge.  
Suitable for all gaseous and liquid media that will not obstruct the pressure system or attack copper alloy parts.

### Design

DIN 43 700

### Nominal size

144 x 72, 96 x 96 and 144 x 144 mm

### Accuracy class per EN 837-1 /6

1.0

### Scale ranges per EN 837-1 /5

0 ... 0.6 to 0 ... 1000 bar  
or equivalent other units of pressure or vacuum

### Working Pressure

Steady: full scale value  
Fluctuating: 0.9 x full scale value  
Short time: 1.3 x full scale value

### Operating temperature

Ambient: -20 ... +60 °C  
Medium: +60 °C maximum (soldered tube)  
+100 °C maximum (brazed tube)

### Temperature error

Additional error when temperature of the pressure element deviates from +20 °C  
Rising temperature: +0.4%/10 K of true scale value  
Falling temperature: -0.4%/10 K of true scale value

### Standard features

#### Pressure connection

Material: Cu-alloy  
Lower back mount (LBM), G ½ B (male) per EN 873-1 /7.3  
144 x 72 mm: 17 mm flats  
96 x 96 and 144 x 144 mm: 22 mm flats

#### Pressure element

< 100 bar: Cu-alloy, C-type, soft soldered  
≥ 100 bar: stainless steel 316L  
helical or spiral type, brazed

#### Movement

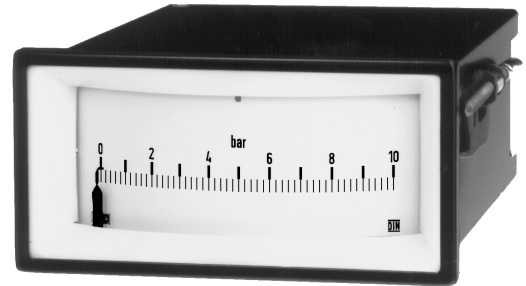
Material: Cu-alloy, wear parts argentan

#### Dial

White aluminium with black lettering

#### Pointer

Black aluminium



#### Case / Chassis per DIN 43 700

96 x 96 and 144 x 144 mm: galvanized steel case  
144 x 72 mm: galvanized steel chassis

#### Window

Instrument glass

#### Panel frame per DIN 43 718

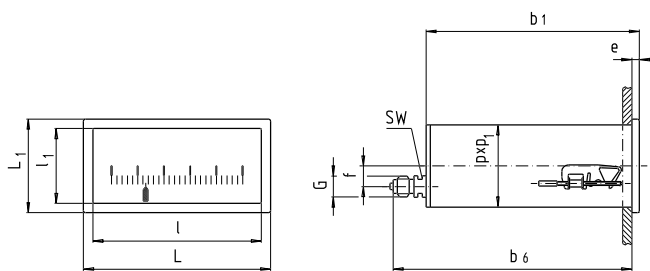
Snap-fit small frame, black finish steel

#### Optional extras

- Other pressure connection
- Pressure system stainless steel 316L (**model 234.11**)
- Duplex pressure system (with 144x72 mm)
- Duplex pressure system (with 96x96 mm, 60 bar maximum)
- Wide panel frame
- Approval Germanischer Lloyd for model 2X4.11 with 96x96 mm and 144 x 144 mm:
- Alarm contacts (see data sheet AC 08.01)

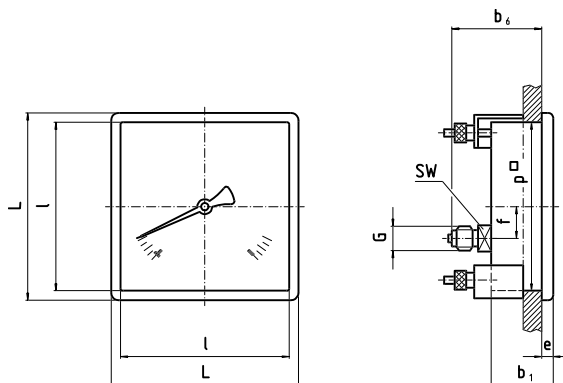
**Dimensions**  
**Standard versions**

144 x 72 mm, lower back pressure entry (LBM)



1163 353

96 x 96 and 144 x 144 mm, lower back pressure entry (LBM)



1034 634

Nominal size	Dimensions [mm]												Weight [kg]
	b <sub>1</sub>	b <sub>6</sub>	e	f	G	L	L <sub>1</sub>	l	l <sub>1</sub>	p x p <sub>1</sub>	p <sup>□</sup>	SW	
144 x 72	168	197	8	18	G ½ B	144	72	134	62	138 x 67	-	17	1.50
96 x 96	44	72	6	30	G ½ B	96	-	88	-	-	90	22	0.60
144 x 144	46.5	72	8	30	G ½ B	144	-	134	-	-	136	22	1.25

Standard pressure entry with parallel thread and seating to EN 837-1 /7.3.

**Ordering information**

State:  
 Pressure gauge model / Nominal size / Scale range / Size and location of connection / Optional extras required

Specifications and dimensions given in this leaflet represent the state of engineering at the time of printing.  
 Modifications may take place and materials specified may be replaced by others without prior notice.



**WIKAI Alexander Wiegand GmbH & Co. KG**  
 Alexander-Wiegand-Straße · 63911 Klingenberg  
 Tel.: (0 93 72) 132-0 · Fax: (0 93 72) 132-406  
<http://www.wika.de> · E-mail: [info@wika.de](mailto:info@wika.de)